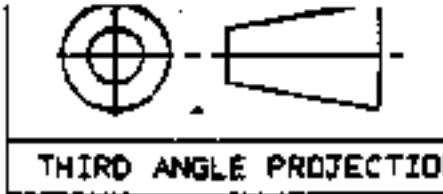
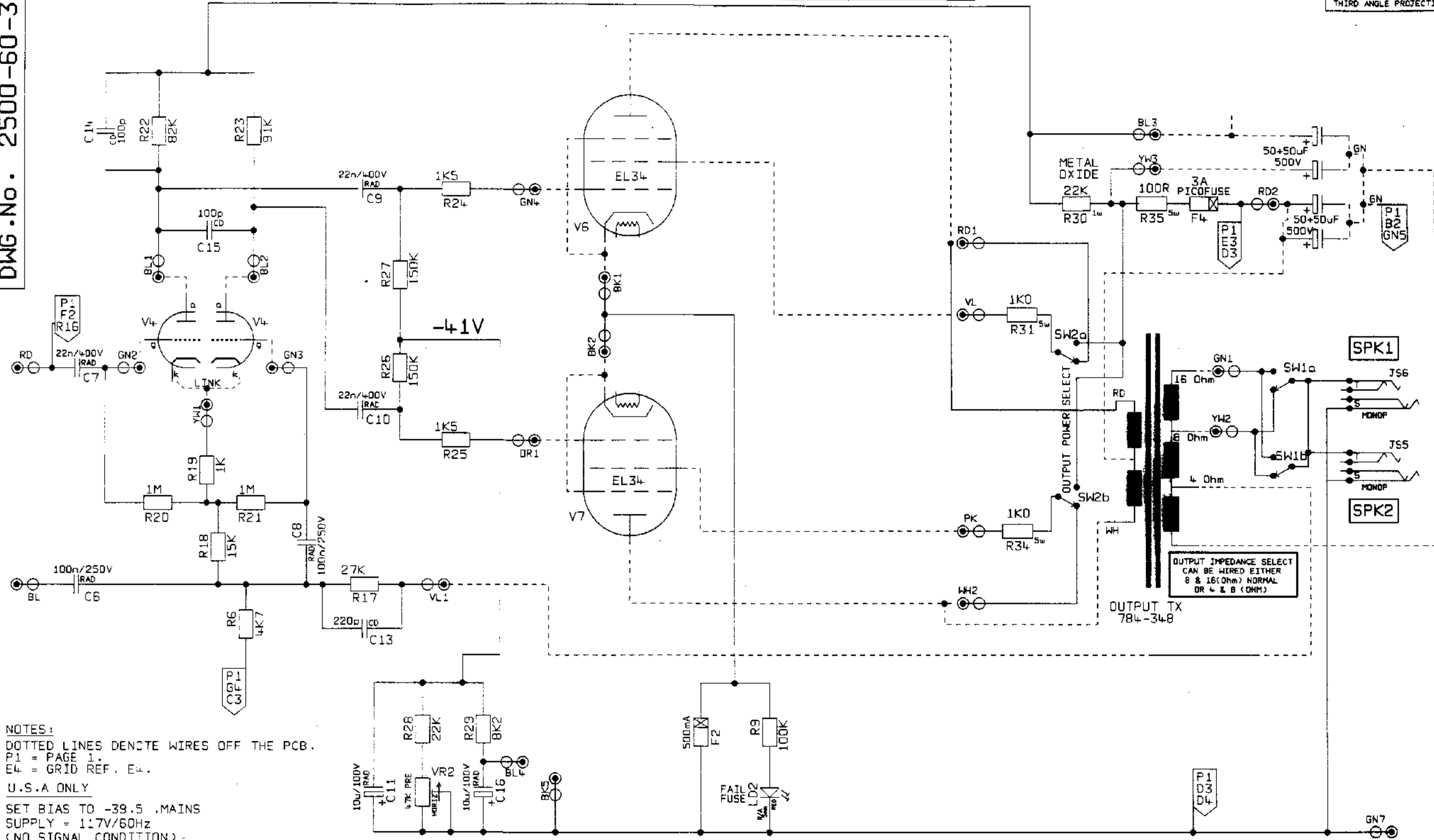


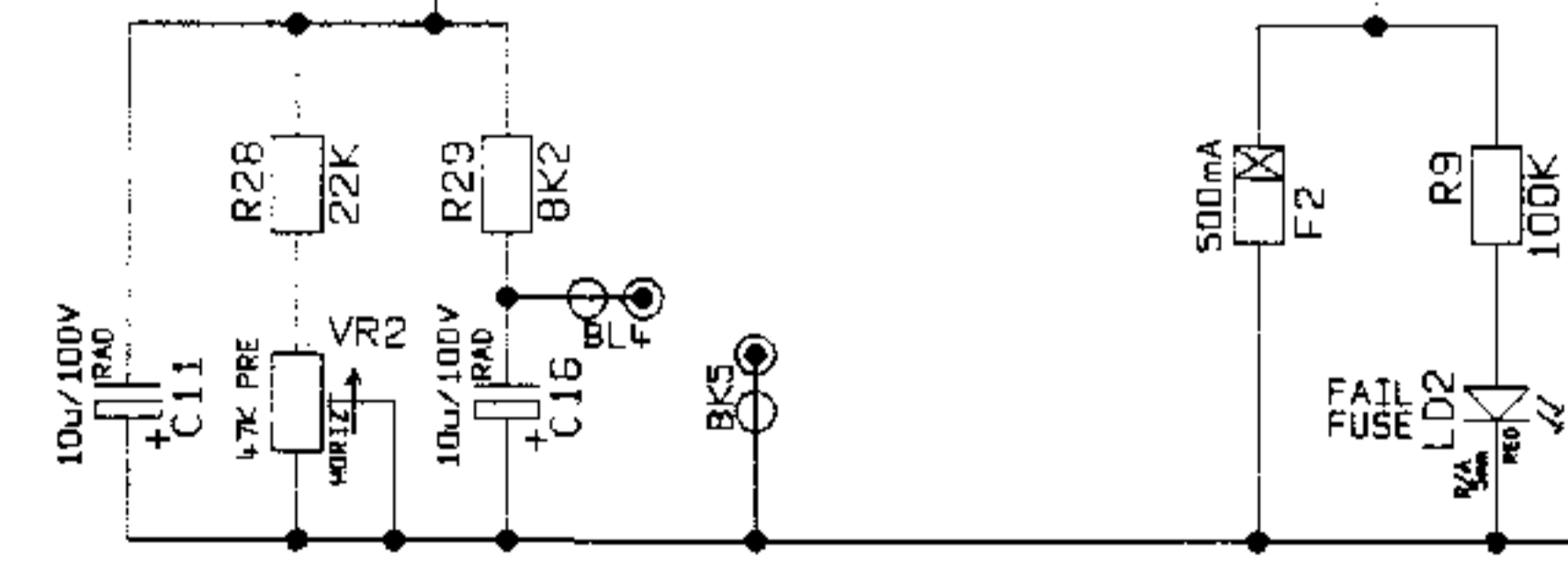
# EL34 VALVE TYPE



DWG.No. 2500-60-34



**NOTES:**  
 DOTTED LINES DENOTE WIRES OFF THE PCB.  
 P1 = PAGE 1.  
 E4 = GRID REF. E4.  
 U.S.A ONLY  
 SET BIAS TO -39.5 V MAINS  
 SUPPLY = 1.7V/60Hz  
 (NO SIGNAL CONDITION)



UNSPECIFIED HOLE DATA			MATERIAL		DIMENSIONS IN		TITLE	
13	1003	9/10/95	A					
12	0988	6/8/95	B					
11	0868	12/4/95	C					
10	0688	17-11-94	D					
ISS	ECG NUMBER	DATE	E					
			F					
			G					

MATERIAL		DIMENSIONS IN	
MATERIAL THICKNESS		TOLERANCE (UNLESS OTHERWISE STATED)	
INTERNAL BEND RADIUS		DIMENSIONAL	
EXTERNAL B/A		CENTRES	
BEND DIE		ANGULAR	

DRAMA	DATE	MODEL	TITLE
CJR	29/6/93	2500SL-X	EL34 VALVE TYPE
CHECKED	DATE		
APPROVED	DATE		

MATERIAL		DIMENSIONS IN	
MATERIAL THICKNESS		TOLERANCE (UNLESS OTHERWISE STATED)	
INTERNAL BEND RADIUS		DIMENSIONAL	
EXTERNAL B/A		CENTRES	
BEND DIE		ANGULAR	

MATERIAL		DIMENSIONS IN	
MATERIAL THICKNESS		TOLERANCE (UNLESS OTHERWISE STATED)	
INTERNAL BEND RADIUS		DIMENSIONAL	
EXTERNAL B/A		CENTRES	
BEND DIE		ANGULAR	

MATERIAL		DIMENSIONS IN	
MATERIAL THICKNESS		TOLERANCE (UNLESS OTHERWISE STATED)	
INTERNAL BEND RADIUS		DIMENSIONAL	
EXTERNAL B/A		CENTRES	
BEND DIE		ANGULAR	

*Marshall*

COPYRIGHT EXISTS ON THIS DOCUMENT. IT MUST NOT BE USED FOR ANY PURPOSE OTHER THAN THAT FOR WHICH IT IS SUPPLIED AND MUST NOT BE REPRODUCED OR IN PART WITHOUT WRITTEN PERMISSION FROM  
 MARSHALL AMPLIFICATION PLC  
 DOWNING ROAD, BLETCHLEY, MILTON KEYNES, MK1 10Q.  
 TEL (0908) 575411 FAX (0908) 576118

TITLE	
POWER AMP CCT	
DWG.No	ISSUE
2500-60-34	13